

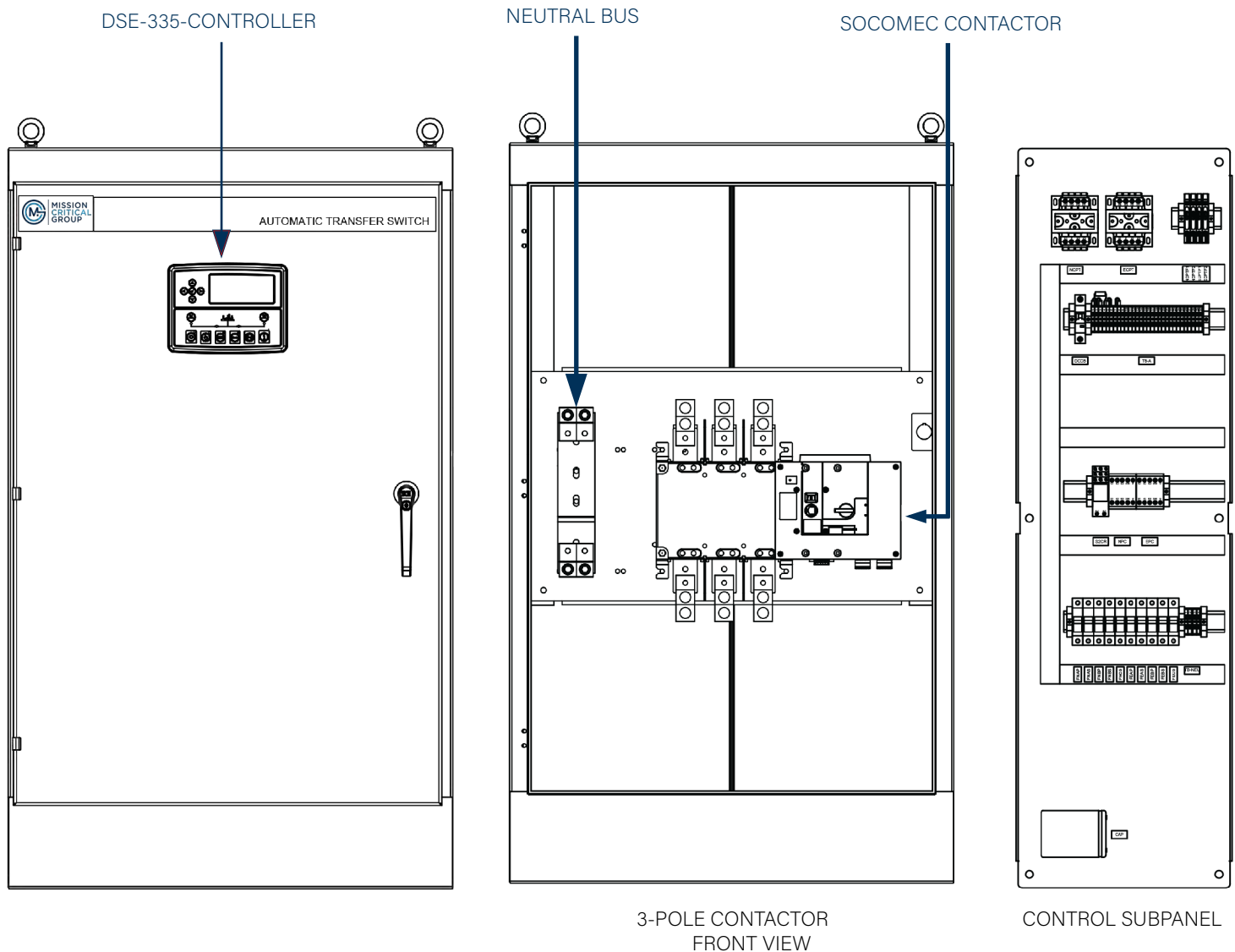
M1200 Series: Contactor-Based Automatic Transfer Switch

400A, 600A, 800A, 1200A



Contactor-Based Automatic Transfer Switch

MCG's contactor-based automatic transfer switch leverages on Socomec's proven double-throw motorized contactor along with Deep Sea's easy-to-use ATS controller. MCG provides these components into a rugged enclosure with additional controls that provide a simple, reliable, open-transition automatic transfer switch. MCG has had this design certified to UL1008 standard by ETL – so you can rest assured that the ATS will be acceptable to your local AHJ.

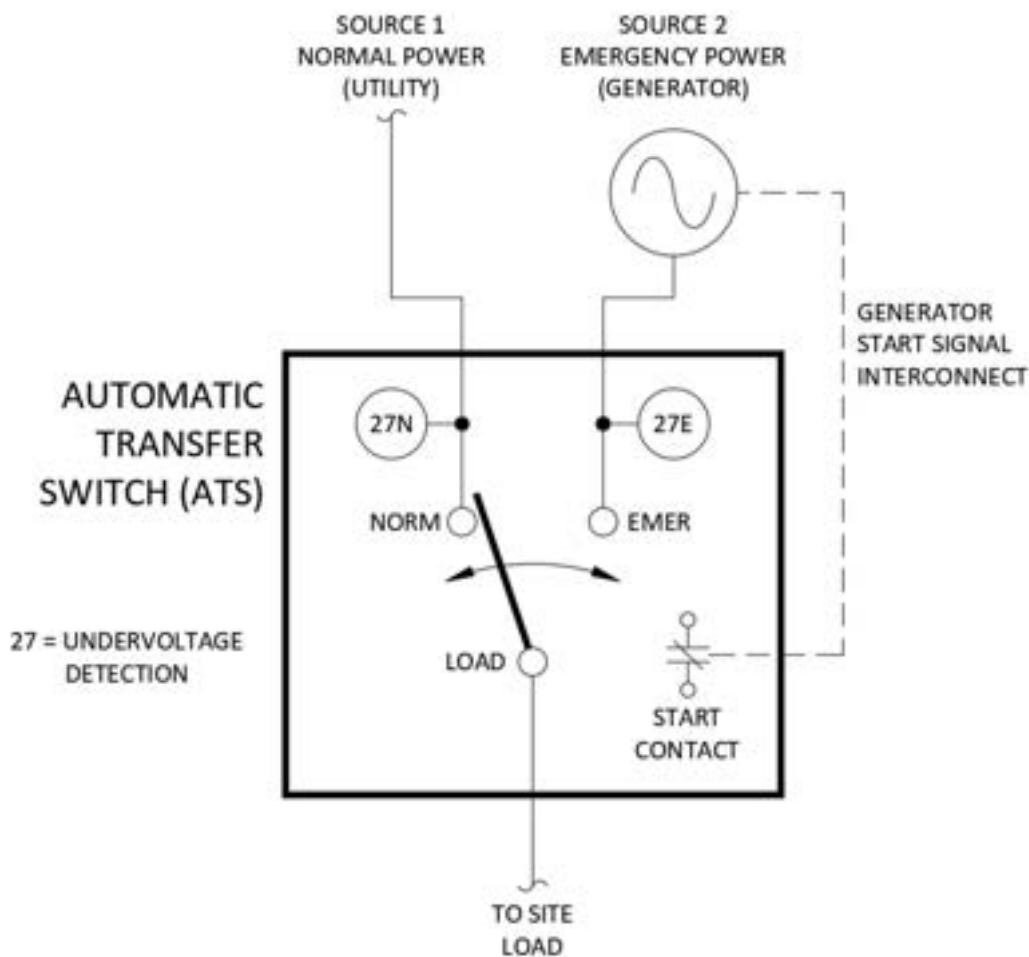


What is an Automatic Transfer Switch (ATS)?

An automatic transfer switch (ATS) is a device that operates in conjunction with an emergency standby generator to provide backup power to a load during a blackout.

The ATS automates the process of:

- Starting the emergency source of power during a blackout
- Switching from “normal” power to “emergency” power
- When normal power returns, the ATS switches back from emergency power to normal power and shuts off the emergency generator. The ATS is now ready for the next blackout.



ATS Ratings				
Enclosure environmental ratings:	NEMA 1, NEMA 3R, NEMA 4X			
Enclosure material:	NEMA 1/3R: painted, 12 gauge carbon steel			
Enclosure material:	NEMA 4X: 12 gauge stainless steel, type 304			
ATS controller environmental ratings:	IP65 (comparable to NEMA 3R)			
Voltage:	208, 240 or 480VAC, 3-phase, 4-wire			
Frequency:	60Hz			
Number of poles:	3-pole or 4-pole			
Amperage rating:	400, 600, 800 or 1200A			
Optional internal space heater:	400W (self-powered)			
General ratings (amps)	400A	600A	800A	1200A
Short circuit rating at 600VAC with fuses (provided separately)				
Short circuit rating at 600VAC	100kA	100kA	100kA	100kA
Type of fuse	J	L	L	L
Short circuit rating at 600VAC with "any circuit breaker" (provided separately)				
Short circuit rating at 600VAC	14kA	35kA	35kA	35kA
Short circuit capacity	50mS	50mS	50mS	50mS
Rated operational current				
240VAC "total system"	400A	400A	700A	700A
240VAC resistive load	400A	600A	800A	1200A
480VAC "total system"	400A	350A	600A	600A
480VAC resistive load	400A	600A	800A	1200A
Mechanical endurance				
Number of cycles	4050	3050	3050	3050
Connection terminals	4AWG - 600MCM	2 x 2AWG - 600MCM	4 x 2AWG - 600MCM	4 x 2AWG - 600MCM
Torque	310 in-lb	310 in-lb	310 in-lb	310 in-lb

Socomec Contactor: ATYS UL 1008

Transfer Switching Equipment - from 100 A to 1200 A

Extremely durable transfer switching equipment compatible with any TSE controller.



Function

An ATyS mechanism is designed for use in total system optional standby applications for the safe transfer between a normal and an alternate power source.

The changeover is done in open transition and with minimum supply interruption during transfer ensuring full compliance with UL 1008. The ATyS is a full on-load disconnecter where the main components are based on proven technology, also meeting requirements in UL 98 standard.

Strong Points

- Robust and Reliable design
- Maintenance-free
- Compatible with virtually any TSE controls

Advantages

Robust and Reliable design

ATyS is a remotely operated transfer switch tested in full compliance with UL 1008. The design integrates a failsafe mechanical interlock to ensure that the main source is never inadvertently connected to the alternate. The stable position design ensures that the switch is unaffected by vibration or network voltage perturbation. The ATyS also includes a removable handle for on-load manual operation. This is extremely safe and easy to use. The ATyS also includes a fully rated switched neutral pole.

Compatible with virtually any TSE controls

The ATyS is directly compatible with virtually any transfer switching control solution that provides volt free contacts. This allows the ATyS to be combined with most TSE controls available on the market and then used in automatic transfer switch applications.

Maintenance-free

The self-cleaning contacts of the ATyS allow the power section to be maintenance-free. For safe downstream maintenance, the ATyS includes a facility for isolation and padlocking in the zero position. In the unlikely event of a motorization failure, the ATyS is designed in a way that the motorization can be replaced easily and very quickly. Furthermore, the ATyS remains manually operational with or without the motorization in place.

DSE335

Auto Transfer Switch Control Module

The DSE335 is an Automatic Transfer Switch Controller. The DSE335 will monitor the voltage and frequency of the incoming AC supply from two different sources, which could be from both generator or mains (utility), or a combination of both. The module will monitor S1 (source 1) and in the event of a failure will issue a start command to S2 (source 2) Transfer Switch Controller. The DSE335 will monitor the voltage and frequency of the incoming AC supply from two different sources, which could be from both generator or mains (utility), or a combination of both. The module will monitor S1 (source 1) and in the event of a failure will issue a start command to S2 (source 2).



Major Features:

- Automatic open transition transfer control with engine start contact signal
- Self-powered control with optional 24VDC generator best power input
- Programmable exercise calendar
- Remote annunciator available
- Elevator control contact
- Load shed input contact
- Test modes

Key Benefits

- Source 1/Source 2 provides total flexibility for the application of the product
- Fully automatic and switch-over control minimizes the effects of power disruptions
- User friendly set-up and button layout
- 3 phase display and check sync provide enhanced module functionality
- DSE Configuration Suite PC Software compatibility for remote control and monitoring
- 132 x 64 pixel ratio display for clarity
- Real-time clock provides accurate event logging
- Ethernet communications (via DSE860/865 modules), provides advanced remote monitoring at low cost
- Modules can be integrated into building management systems (BMS)
- Increased input and output expansion capability via DSENet®
- License-free PC software
- IP65 rating (with supplied gasket) offers increased resistance to water ingress
- PLC editor allows user configurable functions to meet specific application requirements.

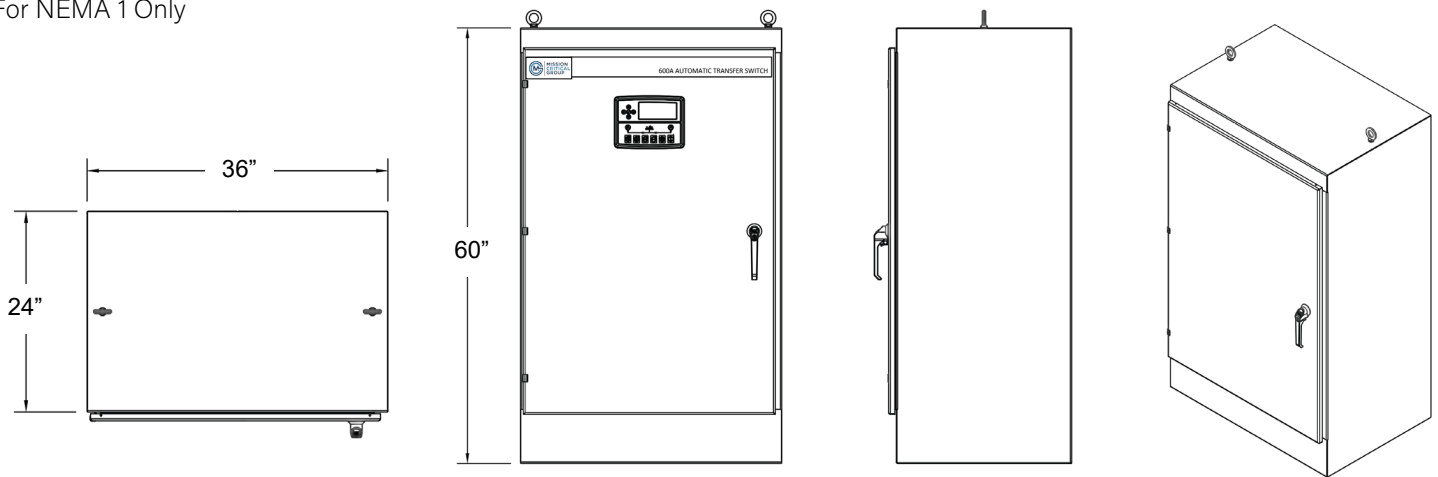
ATS Contactor: M1200 Series

Dimensional Information

	Small Enclosure Option 36"W X 60"H X 24"D	Large Enclosure Option 36"W X 72"H X 36"D
400A	Available	NOT Available
600A	NEMA 1 Only	NEMA 3R/4X Only
800A	NOT Available	Available
1200A	NOT Available	Available

Small Enclosure Option

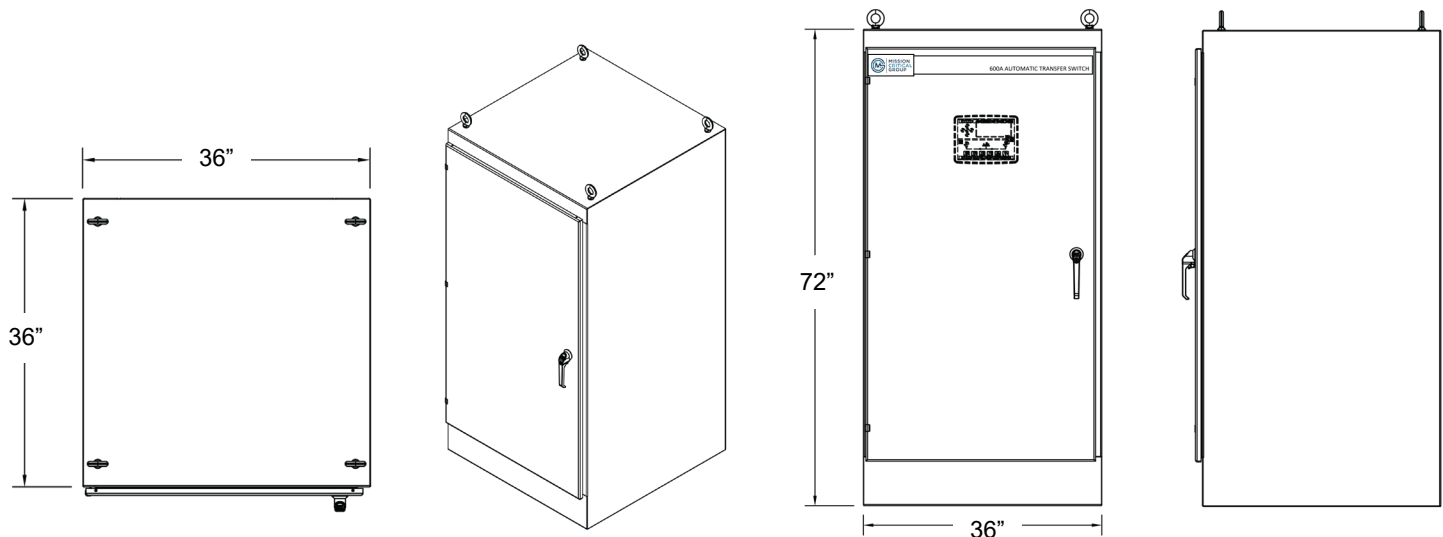
For NEMA 1 Only



Large Enclosure Option

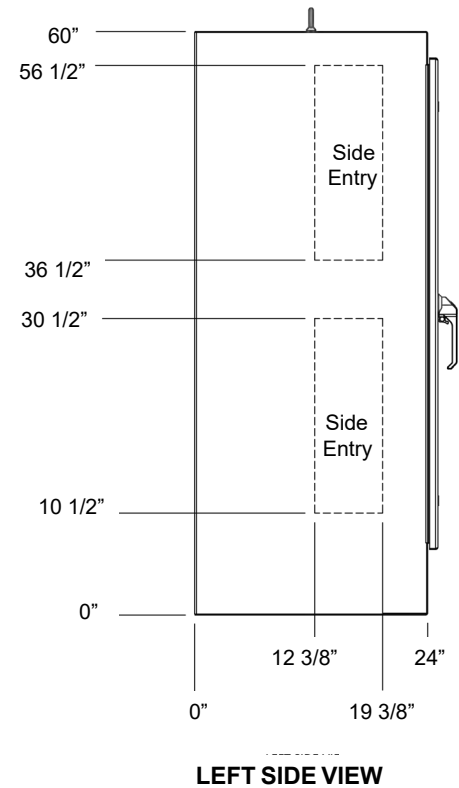
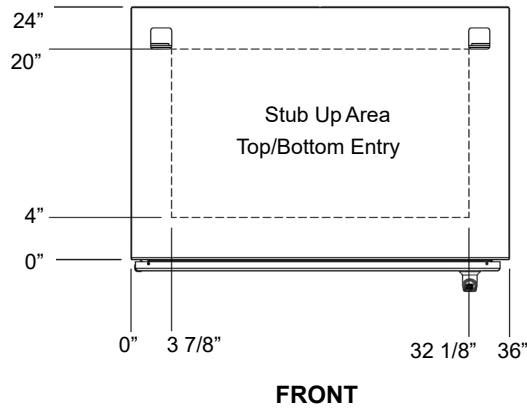
For NEMA 3R or 4X Option 335 Controller

Installed onto Interior Door Kit



Small Enclosure Option

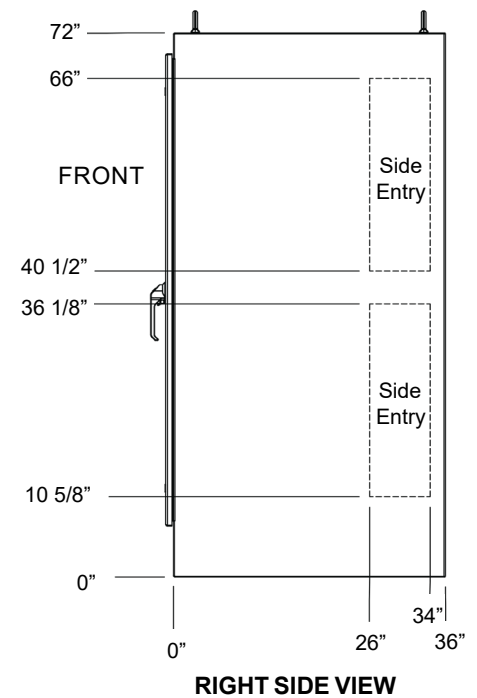
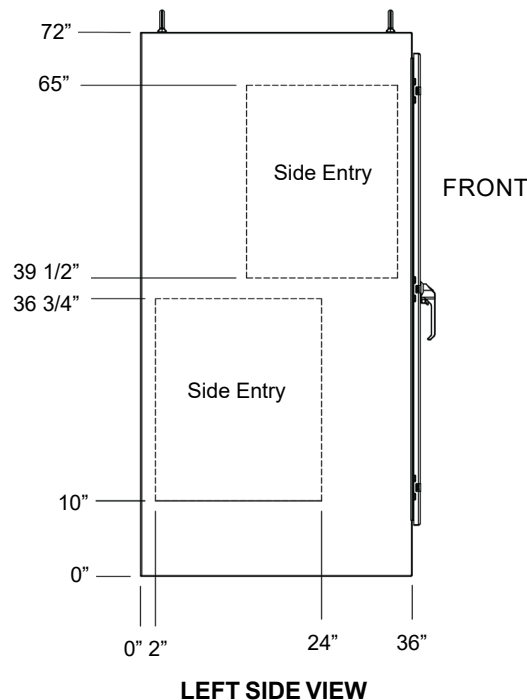
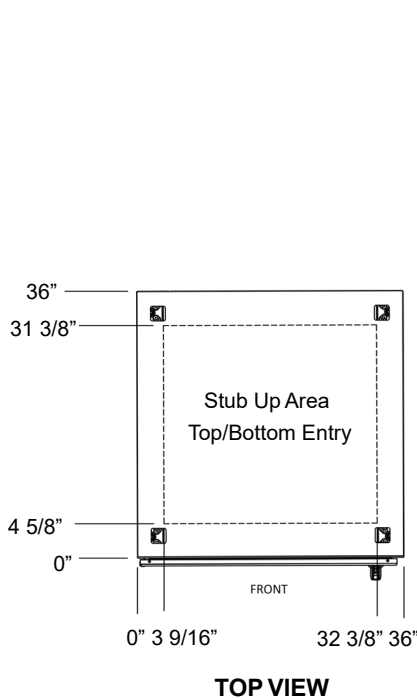
For NEMA 1 Only



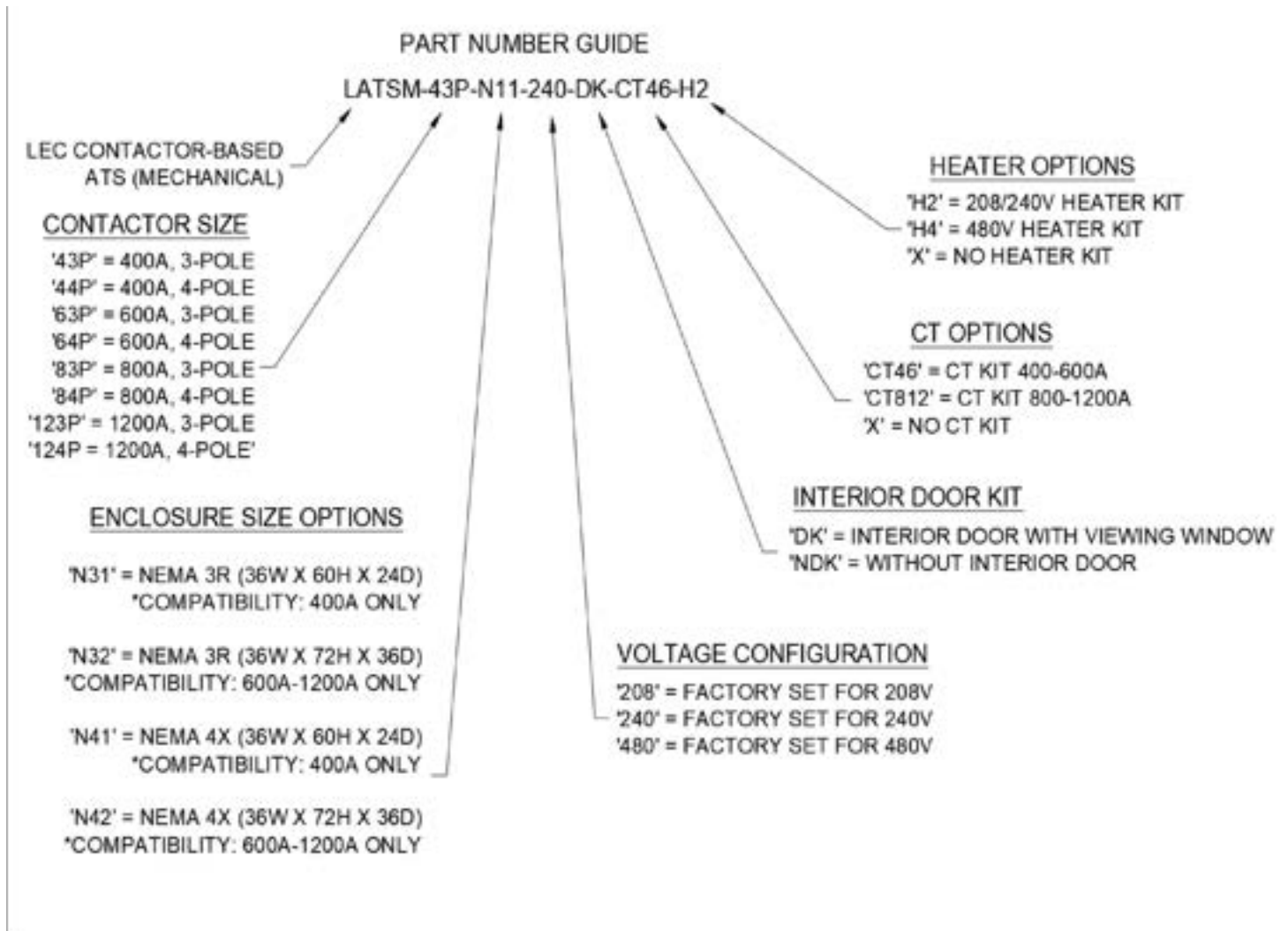
Large Enclosure Option

For NEMA 3R or 4X Option

335 Controller Installed onto Interior Door Kit



Use the options in the part number guide to create a unique ATS part number.



For Pricing Information, please refer to the ATS price list.

- The price list is a separate document.



About Mission Critical Group

Mission Critical Group (MCG) is an end-to-end power system solutions and services provider that accelerate time-to-power for essential infrastructure. Through integrated engineering, manufacturing, and field services, MCG delivers reliable power systems for behind-the-meter and mission critical applications.

With deep engineering expertise and a robust U.S.-based manufacturing network, MCG delivers fast, tailored power solutions with the technical support to match. Backed by a nationwide team of experts, we help keep power running for critical operations.

Accelerating Time-to-Power

MCG accelerates time-to-power by uniting design, manufacturing, and service with integrated program management and a fast, flexible U.S.-based supply chain.

Key Advantages

- Unified engineering, manufacturing, and service eliminates vendor handoffs and streamlines communication.
- Direct oversight from design to delivery speeds execution and minimizes risk
- Fast-deploying solutions, both pre-engineered and engineered-to-order, maintain high reliability.
- Trusted by operators in data center, healthcare, and industrial sectors for proven performance.

Mission Critical Group Capabilities

Power Infrastructure Solutions

- Custom electrical power systems
- Integrated switchgear and control solutions
- Engineered power generation systems
- Electrical distribution systems
- Mission critical infrastructure support

Engineering and Services

- System design and electrical engineering
- Program management and project execution
- Manufacturing and factory integration
- Field commissioning and startup support
- Lifecycle service and maintenance